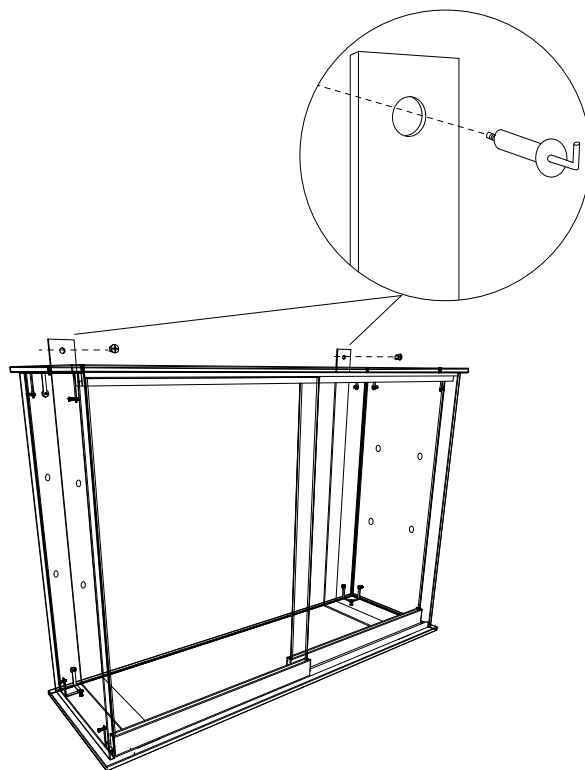
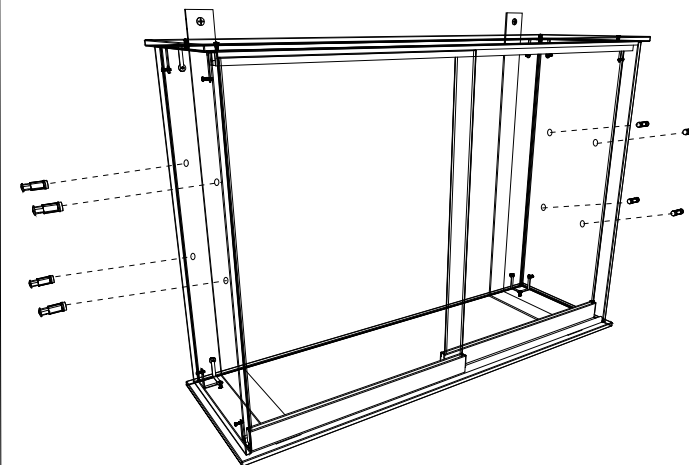


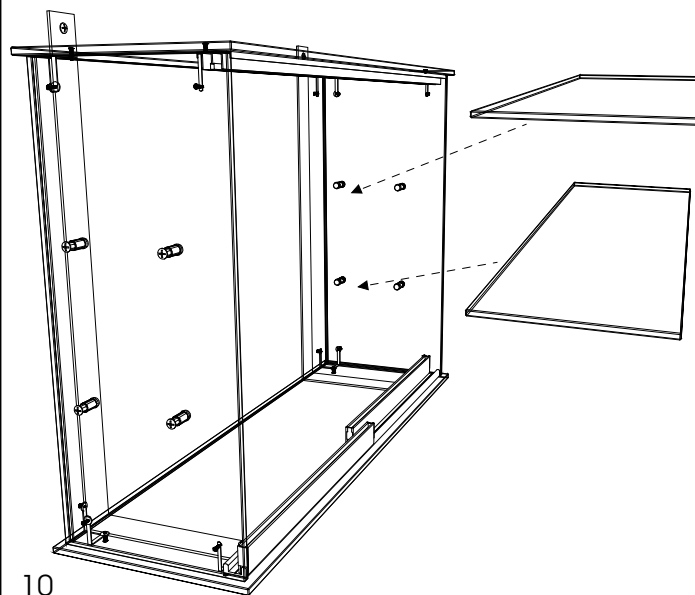
7



8



9



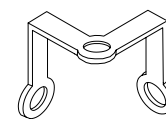
10



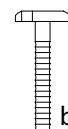
X 2



X 8



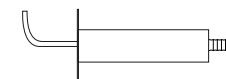
X 4



X 2



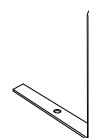
X 35



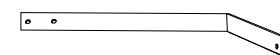
X 2



X 24



X 2



X 2